

bEach & community



T I Q U E T T E

Community

- Drive golf carts & LSV's with care. Only licensed drivers may be at the wheel!
- Keep dogs on leash always. Pick up after your dog.
- Keep exterior lights to a minimum & do not aim them at neighbors' windows. At night, turn off exterior lights or consider motion detectors.
- Quiet hours begin at 11:00 PM but noise travels in the dark. Be considerate of noise from yards, decks & porches.

Beach

- Keep off the dunes! No walking and playing in or on the dunes.
- Please respect & comply promptly with instructions from Beach & Community Patrol staff.
- Do not set up chairs, umbrellas & canopies early in the morning and leave them unattended.
- Place umbrellas & canopies behind the line of the Lifeguard chairs.
- Consider your space & others, arrange your chairs in a U shape instead of a straight line.
- Allow 15 feet between your chairs & those of others if possible.
- If enjoying music on the beach, keep the volume low so that others can't hear it.
- Leave no footprint. Whatever you bring to the beach should leave with you. This includes personal items & trash.
- Holes dug on the beach must be filled in before your departure.
- Unattended items left on the beach after sundown may be removed & disposed of.
- Games (football, frisbee etc.) should be played at the rear of the beach closer to the sand fences.

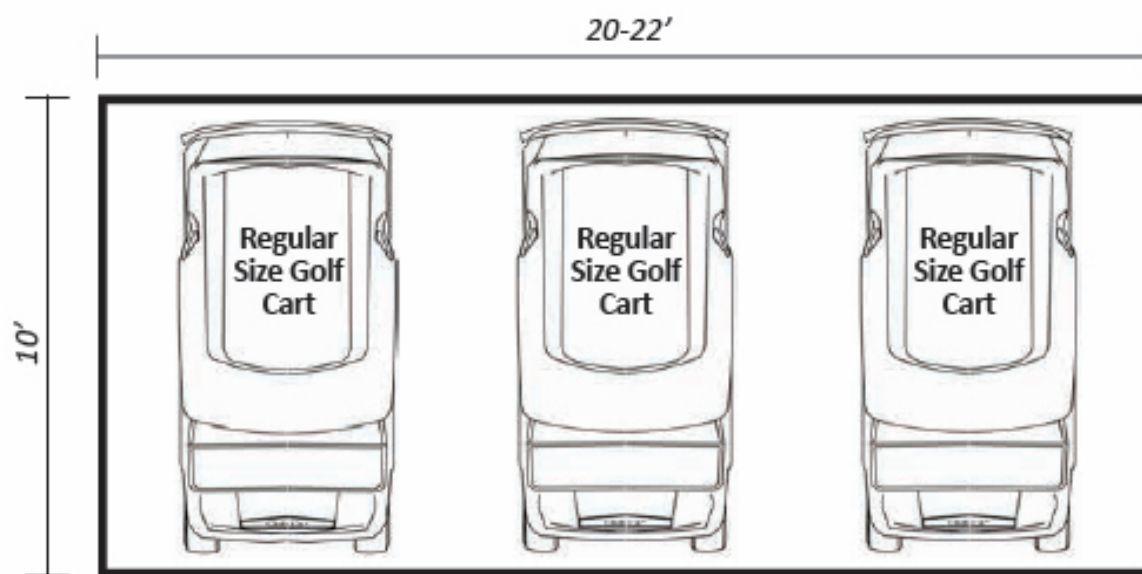
MIDDLESEX
BEACH





Suggested Golf Carts and Low Speed Vehicle Parking on Busy Days

Most parking spaces on Dune Rd are about **10' wide by 20-22' long**.



- Three regular size golf carts can fit in one space as depicted above. A golf cart with a rear facing seat is almost exactly 10' long, and should be able to park this way.
- Longer Low Speed Vehicles (LSV's are usually at least 12' long) can share a space with a regular golf cart as depicted below. Operators are asked to leave room if possible.

